

Flash lamp manual instruction (F5002)

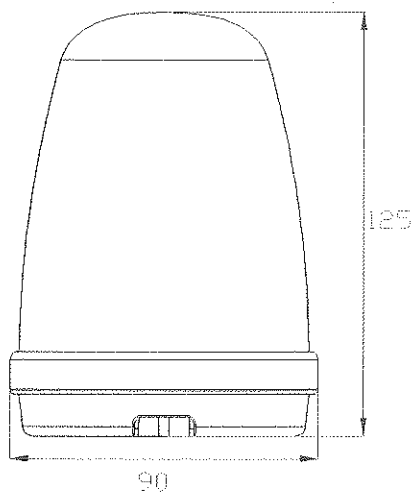
I. Technical Specification

1. Working voltage: 230VAC
2. Flicker Frequency: $1\text{HZ} \pm 0.2\text{HZ}$
3. Loading capacity: 15W
4. Working temperature: $-20^{\circ} \sim +60^{\circ}\text{C}$
5. Size: $\phi 90 * 125\text{MM}$
6. IP54

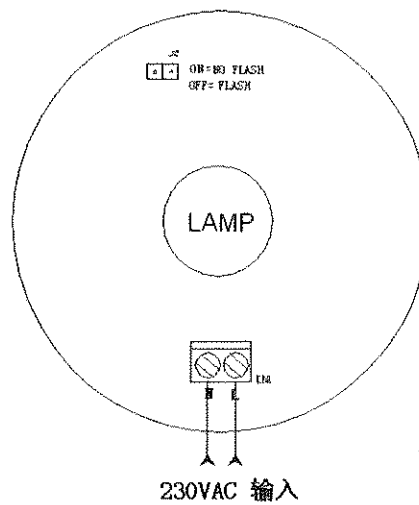
II. Safety Instruction

1. For security, please read the user manual carefully before initial operation;
2. Please be sure the power is off before connecting, the product is produced without fuse;
3. This system must not endanger life or property during the running failure or its security risks have been eliminated

III. Picture Display



Size



connection

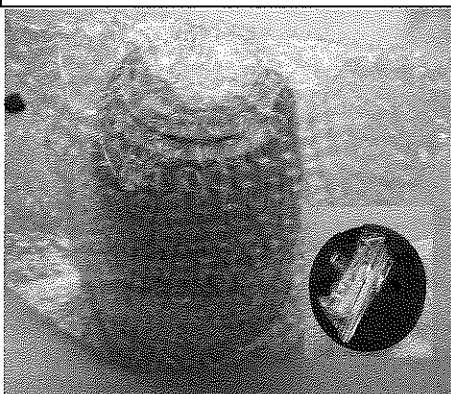
IV. Installation Instruction

1. Connect the AC 230 power supply with Terminal CN1, then the led will flicker, the flash working flicker frequency is 1HZ.
2. J2 : control lamp in flickering or lighting. J2 at off , lamp flickers in 1HZ when power on; J2 at on, lamp lighting when power on

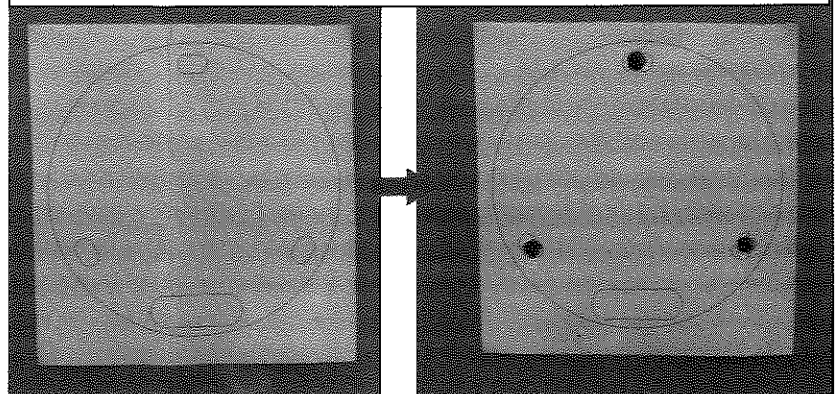
Attention: it is forbidden to keep the lamp lighting for long hours when J2 at on

V Installation Method

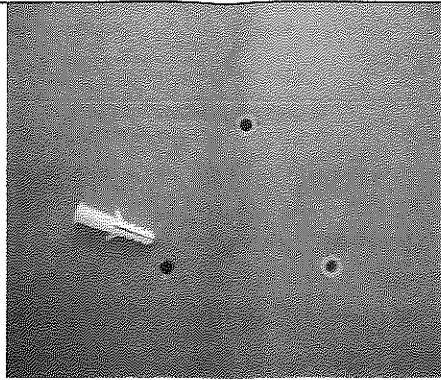
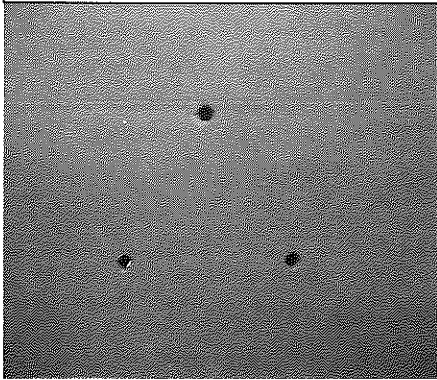
1. Check the installation accessories



2. Stick the paper on the proper place, then drill the hole



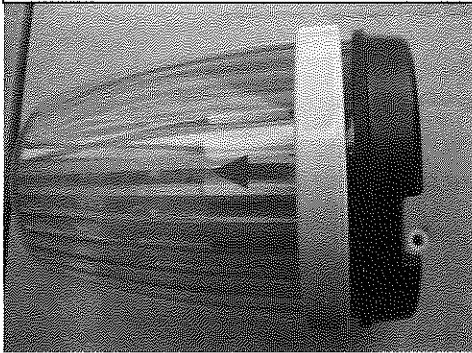
3. Take out the paper and install the expansion tube into the hole



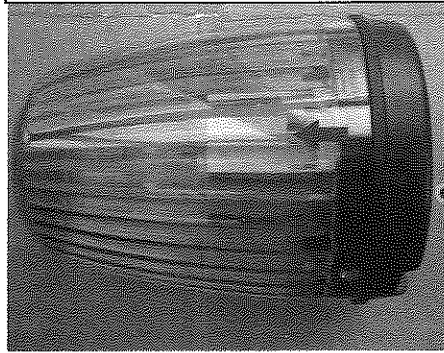
4. Crush the screw hole of bottom



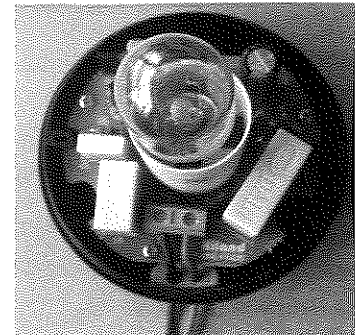
5. Take out the lamp ring



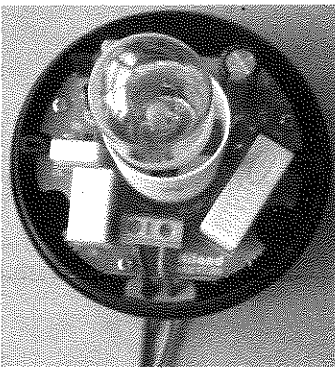
6. Take off the yellow cover



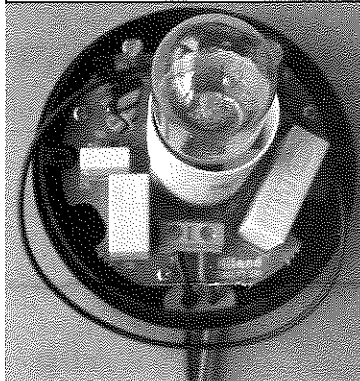
7. Connect the power supply



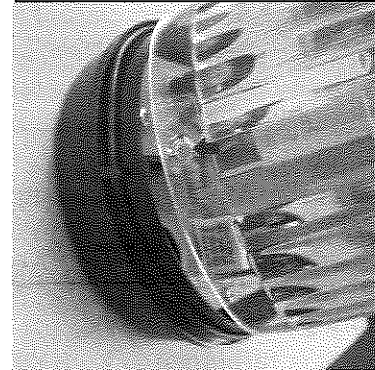
8. Fix the bottom and PCBA with screw



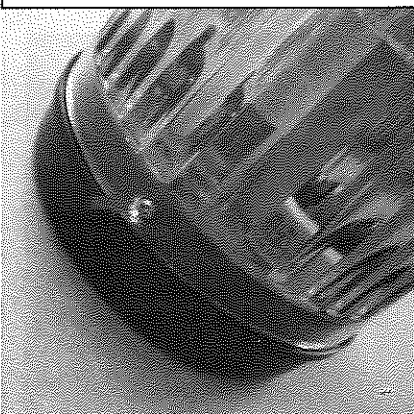
9. Install the black seal ring correctly



10. Fasten the cover into the bottom.



11. Set screw to fix the cover



12. Set the lamp ring.
FINISH THE INSTALLATION

