

<b>designation</b>	<b>SOLIRIS SENSOR</b>
<b>reference</b>	<b>154080</b>
<b>range</b>	<b>INTEO</b>

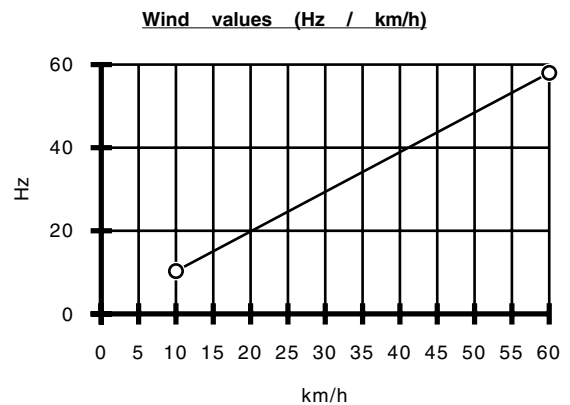
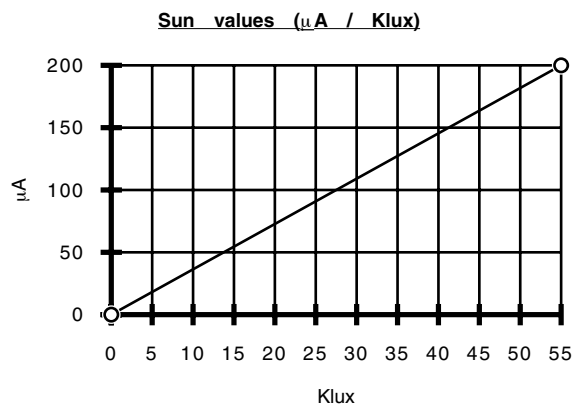
## FUNCTIONS

- Enables to measure the wind speed and the sun light level.
- Analogical output signal for the light.
- It is forbidden to connect several sensors on the same control unit.

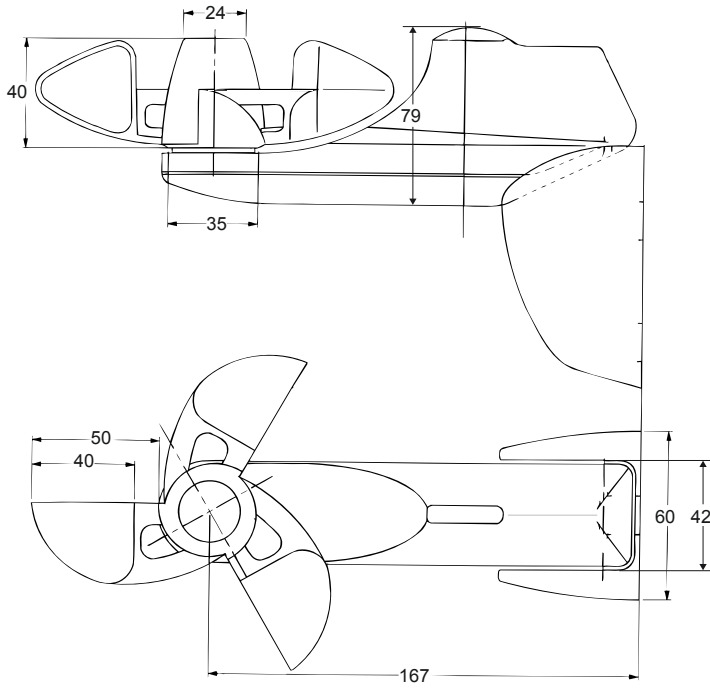


## TECHNICAL SPECIFICATIONS

Box	Material Color Protection factor against solid	ABS grey IP33 class 2
Temperature range	Working Storage	-30°C to +70°C -30°C to +70°C
Weight		236g
CE marking		yes



## DIMENSIONS



## COMPATIBILITIES AT THE 13/10/98

### IN THE INTEO RANGE

- SOLIRIS
- SOLIRIS UNO
- SOLIRIS RTS receiver

### IN THE OTHER RANGES

- Sun sensor coupling module Ref. ECST750170

### IN THE SL RANGE

- SL1001; SL1001 Demo; SL1001 RK2; SL1001 110V
- SL1101; SL1101 Demo; SL1101 RK2
- SL1011; SL1011 Demo
- SL1111; SL1111 Demo

## CABLING / INSTALLATION

