



12/02/98

FTS 50 TECHNICAL DATA

DMKI - FPTE
RANGE 1
FTS50Range1R0

Nominal voltage	230 V - 50 Hz
Power supply tolerances	207 - 244V
Thermal time	8 minutes
System thermal time	dynamic brake and final tension mini : 21 minutes dynamic brake and final tension max : 15 minutes
Number of wires of the cable	5 Non removable 1 m RR-F black cable (2,5 m for the 35/12)
Wire section	0,75 mm ²
Type of limit switch unit	Quick limit switch
Capacity of the LSU	46 turns
Repeatability	± 5°
System of protection	IP 44
Interface drawings	Screw implantation for LT50 mounting 206810-Wheel interface LT50 206821-Crown interface LT50 206822-Interface drawing star head LT50 and LT50PA/PS 206823-Interface drawing LT50&60 buttons 206817.
Basic crown for tube Ø	50 x 1,5 mm
Electronic control box	Ref. ESFT726120 (230V/50-60Hz)
Temperature working range	Normal use : -10°C to +40°C Exceptionnal use (20% of the life time not continuous) : -25°C to + 70°C
Noise level	According to SOMFY measures (for information only).Worse value : in load up direction during 10 seconds.

Designation	Nm	rpm	reference	m.m	mm	mm	mm	W	A	°C	Brake type	kg	dBa
	Nominal torque	Nominal speed		L1 max.	L2 (+3 mm)	L3 max.	tube	Rated power	Rated current	Thermal tripping		Weight	Noise
FTS Gemini	2 5	1 7	200521	655	640	663	590	180	0,95	130	coil brake	2,93	-
FTS Apollo	3 5	1 2	200545*	655	640	663	590	180	0,95	130	coil brake	3,1	-

* Specific for Somfy France

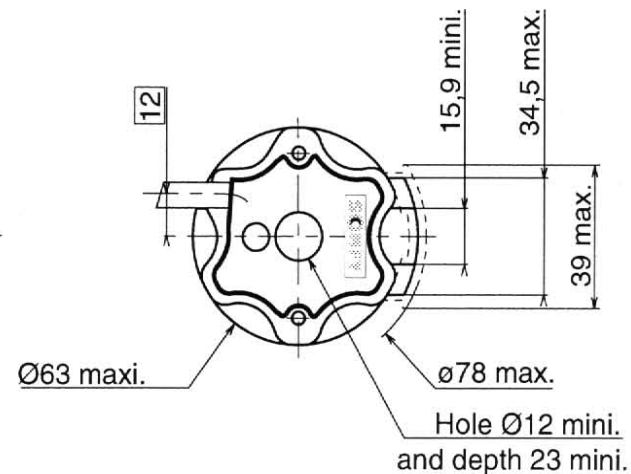
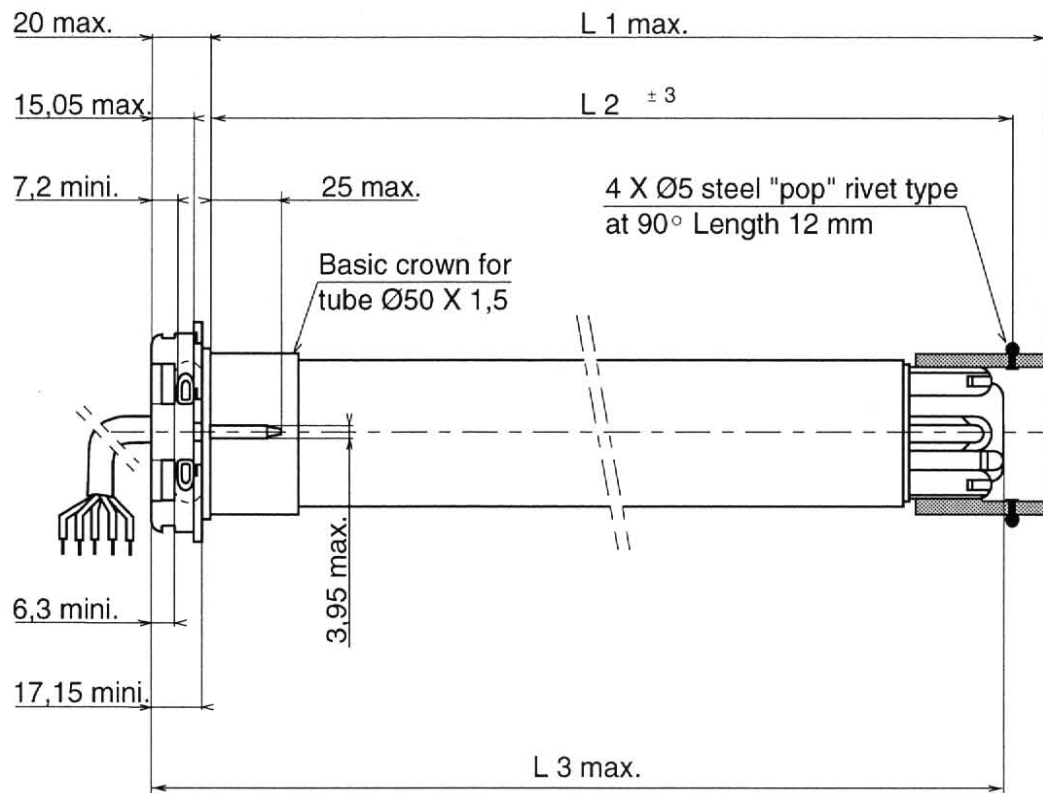


12/02/98

FTS 50 TECHNICAL DATA

RANGE 1

WIRING	Neutral	Blue
	White button	Brown
	Yellow button	Black
	Brake	Grey
	Earth	Green / Yellow



Visa : BEM
Quality
MKI